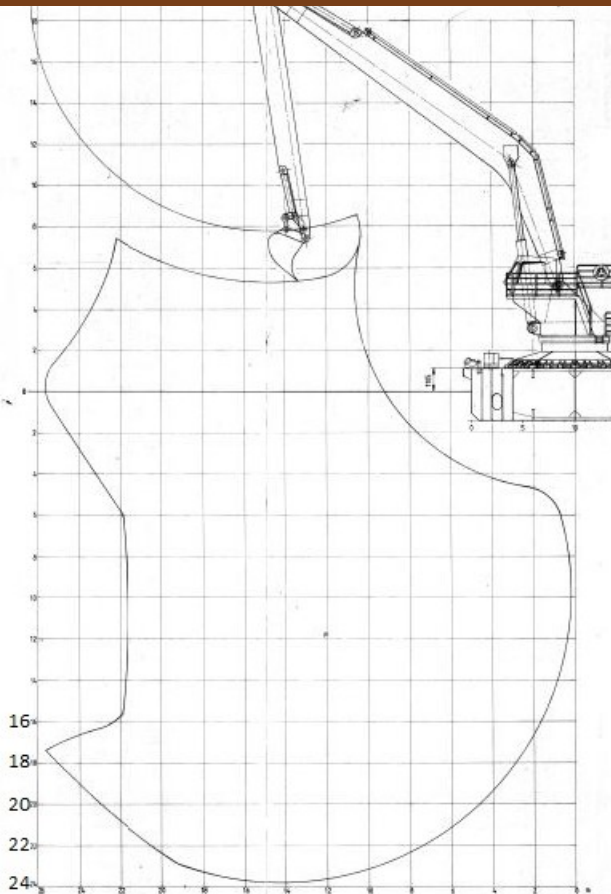




DW 10 - Backhoe Dredger - Aquadigger H241 - 270 ton



PONTOON

- Pontoon size 50 x 14 x 2,0 m
- Equipped with 3 stabilizing spuds each 24 m, accomodation, workshop and spares stores

DEMAG H 241

- Net power 988 kW
- Bucket range 2,5 - 14 m³
- Orangepeel and Clamshell grab
- Hamers, (excentric) rippers large size
- Fuel consumption range 125—175 l/hr
- Survey DGPS system

SPREAD

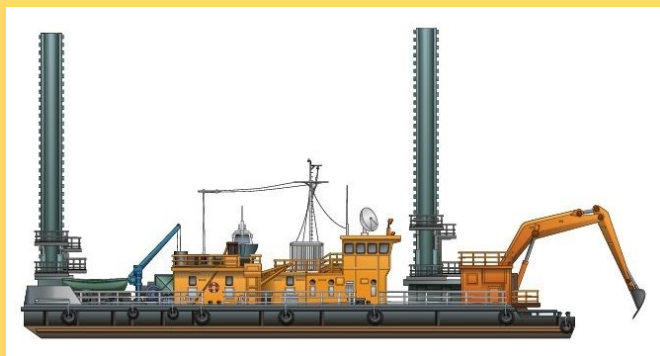
- Max. dredging depth 24 m



Dredging Work can also assist you with the charter of:

- Trailing suction hopper dredgers 1.000 up to 5.000 m3
- Cutter suction dredgers small to medium size
- All other maritime support equipment like survey—crew vessel Multicat, AHT , split/hopper barges, etc.
- All other dredging equipment like pumps and booster stations
- All related dry plant like bulldozers, wheelloaders, dump trucks

“Let’s Dig Together”



CREW:

- Operators
- Barge masters
- Technical supervisors
- Project managers

MARINE SUPPORT

- Barges : Split / Hopper / Flat
- Tugs & AHT: 10 - 50 tbp

SUPPORT & CONSULTANCY

- Soil assessment, work methods, production and costing
- Mobilisation & demobilisation