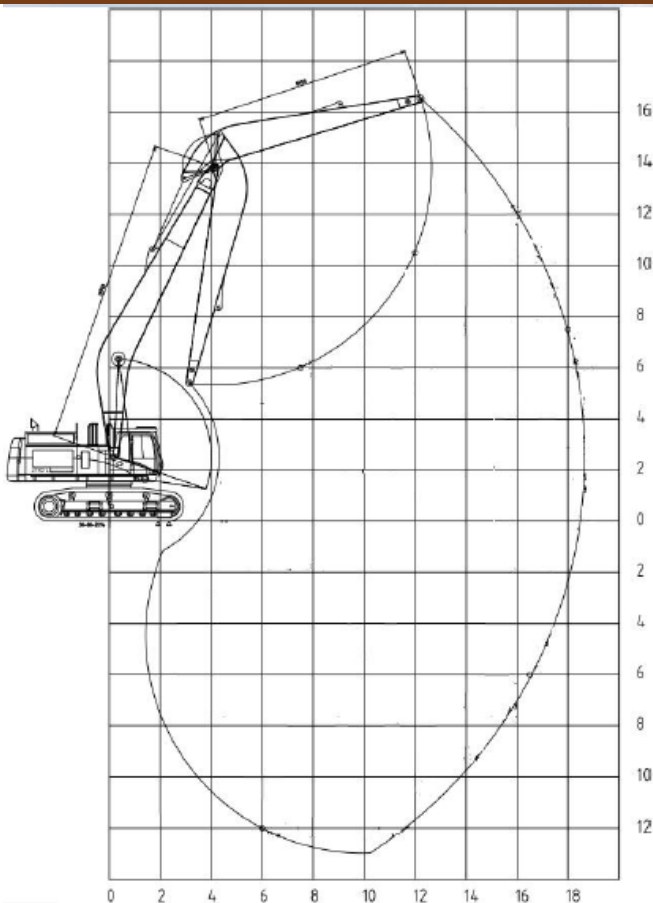


DW 3 - Backhoe Dredger - Cat 374 LRE - 90 ton



PONTOON

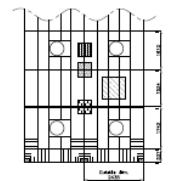
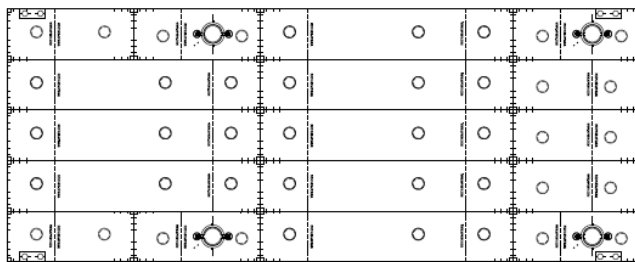
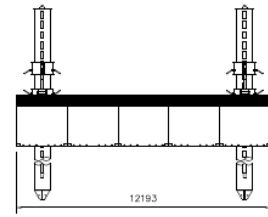
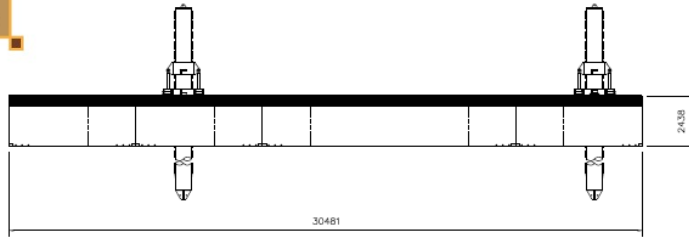
- Modular size 30,5 x 12,2 x 2,4 m
- Equipped with 4 stabilizing spuds, workshop and spares stores

CAT 374 LRE

- Net power 335 kW - 476 hp
- USA Tier 4 final emission standard
- Bucket range 1,5 - 3,0 m³
- Orangepeel and Clamshell 1.500 l
- Hamers, (excentric) rippers medium size
- Fuel consumption range 45 - 65 l/hr
- Survey DGPS system

SPREAD

- Fully road or sea transportable



Assembly consists:
 container type 20' : 5 pcs
 container type 20'SP : 4 pcs
 container type 40' : 8 pcs

NO.	DATE	BY	CHKD.	APPROV.	REMARKS

NAME	Dim. 30.48 x 12.19 x 2.44m	Project		Scale	1/1
SCALE	DATE	DRAWN			
DRAWN BY	CHECK NO.				
DRAWN ON	DRAWING				



Dredging Work can also assist you with the charter of:

- Trailing suction hopper dredgers 1.000 up to 5.000 m3
- Cutter suction dredgers small to medium size
- All other dredging equipment like pumps and booster stations
- All related dry plant like bulldozers, wheelloaders, dump trucks

“Let’s Dig Together”

CREW: EU / TCN / LOCAL

- Operators
- Barge masters
- Technical supervisors
- Project managers

MARINE SUPPORT

- Barges : Split / Hopper / Flat
- Tugs & AHT: 10 - 50 tpb

SUPPORT & CONSULTANCY

- Soil assessment, work methods, production and costing
- Mobilisation & demobilisation