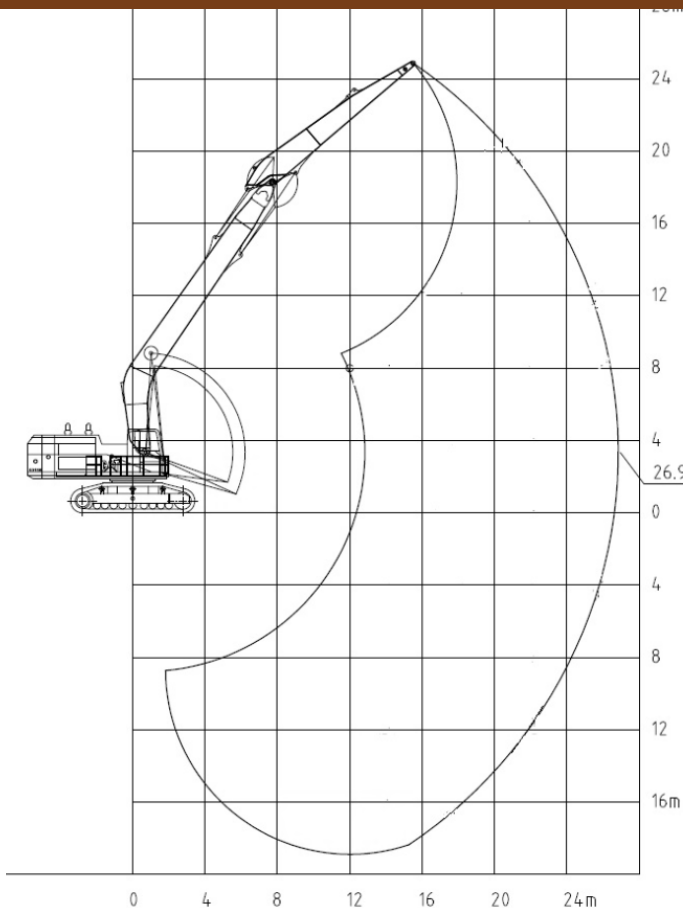




DW 6 - Backhoe Dredger - Cat 6015B LRE - 190 ton



PONTOON

- Modular size 48 x 16,8 x 2,9 m
- Equipped with 3 stabilizing spuds, workshop and spares stores

CAT 6015B

- Net power 566 kW - 746 hp
- USA Tier 4 final emission standard
- Bucket range 1,5 - 6 m³
- Orangepeel and Clamshell grab 3.000 l
- Hamers, (excentric) rippers large size
- Fuel consumption range 75 - 110 l/hr
- Survey DGPS system

SPREAD

- Fully road or sea transportable



Dredging Work can also assist you with the charter of:

- Trailing suction hopper dredgers 1.000 up to 5.000 m3
- Cutter suction dredgers small to medium size
- All other dredging equipment like pumps and booster stations
- All related dry plant like bulldozers, wheelloaders, dump trucks

“Let’s Dig Together”

CREW: EU / TCN / LOCAL

- Operators
- Barge masters
- Technical supervisors
- Project managers

MARINE SUPPORT

- Barges : Split / Hopper / Flat
- Tugs & AHT: 10 - 50 ttp

SUPPORT & CONSULTANCY

- Soil assessment, work methods, production and costing
- Mobilisation & demobilisation